

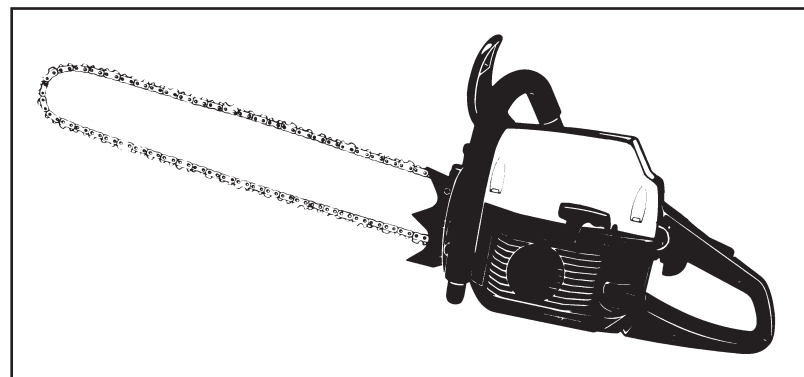
MCCULLOCH®

PARTNER

ILLUSTRATED PARTS LIST

PROMAC 54/DEKO
PROMAC 61/DEKO
PARTNER P610/DEKO
PARTNER P541/DEKO

SERIAL NUMBER PREFIX 02



January 2002

	<p>54 cc</p>	<table border="1"> <thead> <tr> <th></th> <th>PN McC</th> <th>PN ELX</th> <th></th> </tr> </thead> <tbody> <tr> <td>C 1</td> <td>248765</td> <td>538248765</td> <td>1</td> </tr> <tr> <td>B 2 ●</td> <td>227393</td> <td>538227393</td> <td>1</td> </tr> <tr> <td>C 3 ●</td> <td>227510</td> <td>538227510</td> <td>1</td> </tr> <tr> <td>4 ●●</td> <td>229544</td> <td>538229544</td> <td>2</td> </tr> <tr> <td>B 5 ●●</td> <td>227543</td> <td>538227543</td> <td>1</td> </tr> <tr> <td>6 ●●</td> <td>227344</td> <td>538227344</td> <td>1</td> </tr> </tbody> </table>		PN McC	PN ELX		C 1	248765	538248765	1	B 2 ●	227393	538227393	1	C 3 ●	227510	538227510	1	4 ●●	229544	538229544	2	B 5 ●●	227543	538227543	1	6 ●●	227344	538227344	1
			PN McC	PN ELX																										
C 1	248765	538248765	1																											
B 2 ●	227393	538227393	1																											
C 3 ●	227510	538227510	1																											
4 ●●	229544	538229544	2																											
B 5 ●●	227543	538227543	1																											
6 ●●	227344	538227344	1																											
<table border="1"> <thead> <tr> <th></th> <th>PN McC</th> <th>PN ELX</th> <th></th> </tr> </thead> <tbody> <tr> <td>C 1</td> <td>248766</td> <td>538248766</td> <td>1</td> </tr> <tr> <td>B 2 ●</td> <td>227393</td> <td>538227393</td> <td>1</td> </tr> <tr> <td>C 3 ●</td> <td>227511</td> <td>538227511</td> <td>1</td> </tr> <tr> <td>4 ●●</td> <td>229544</td> <td>538229544</td> <td>2</td> </tr> <tr> <td>B 5 ●●</td> <td>227544</td> <td>538227544</td> <td>1</td> </tr> <tr> <td>6 ●●</td> <td>227344</td> <td>538227344</td> <td>1</td> </tr> </tbody> </table>		PN McC	PN ELX		C 1	248766	538248766	1	B 2 ●	227393	538227393	1	C 3 ●	227511	538227511	1	4 ●●	229544	538229544	2	B 5 ●●	227544	538227544	1	6 ●●	227344	538227344	1		
	PN McC	PN ELX																												
C 1	248766	538248766	1																											
B 2 ●	227393	538227393	1																											
C 3 ●	227511	538227511	1																											
4 ●●	229544	538229544	2																											
B 5 ●●	227544	538227544	1																											
6 ●●	227344	538227344	1																											

FIGURE 2

<p>WALBRO WJ 82</p>			
	PN McC	PN ELX	
C -	241311	538241311	1
B 1 ●	229925	538229925	1
A 2 ●●	237211	538237211	1
3 ●	229927	538229927	2
5 ●	237202	538237202	L 1
6 ●	229930	538229930	H 1
C 7 ●	237203	538237203	1
9 ●	240219	538240219	1
10 ●	240218	538240218	1

FIGURE 3

A = high moving - alta rotazione - haute demande - große Nachfrage
 B = medium moving - media rotazione - moyenne demande - mittelmäßige Nachfrage
 C = slow moving - bassa rotazione - basse demande - wenige Nachfrage

	PN McC	PN ELX		PN McC	PN ELX			
C 1	240861	538240861	McCulloch	C 84	241357	538241357	1	
C	241929	538241929	Partner	85	235642	538235642	1	
B 2	240485	538240485		86	227259	538227259	1	
B 3	240484	538240484		87	241147	538241147	M5x16 1	
4	227470	538227470		88	236936	538236936	1	
C 5	227468	538227468		89	236933	538236933	M6x18 1	
A 6	227471	538227471		90	240845	538240845	M5x16 1	
C 7	227300	538227300		91	241474	538241474	1	
8	227467	538227467		92	227259	538227259	1	
9	240884	538240884		93	241308	538241308	1	
10	235530	538235530	M5x35	2	B 94	227406	538227406	1
11	235803	538235803	M5x25	2	A 95	241205	538241205	1
12	227626	538227626		4	96	227408	538227408	1
13	227762	538227762		1	97	227409	538227409	1
14	241312	538241312		1	C 98	227411	538227411	1
B 15	227508	538227508		1	99	227676	538227676	1
C 16	227420	538227420		1	100	227626	538227626	4
B 17	227507	538227507		1	101	235642	538235642	2
C 18	227459	538227459		1	102	235530	538235530	M5x35 2
19	235806	538235806	M5x20	7	C103	241468	538241468	1
20	227626	538227626		7	C104	241467	538241467	1
21	241352	538241352		1	105	241469	538241469	1
22	235806	538235806	M5x20	2	106	240863	538240863	1
23	227629	538227629		2	107	241572	538241572	1
24	235642	538235642		2	108	227626	538227626	2
25	227629	538227629		2	109	235802	538235802	M5x14 2
26	227563	538227563	M5x16	1	110	240863	538240863	1
27	235248	538235248		1	C111	241464	538241464	1
28	229524	538229524		1	C112	241465	538241465	1
C 29	241356	538241356		1	113	241466	538241466	1
30	227563	538227563	M5x16	1	114	241479	538241479	1
31	227259	538227259		1	115	235642	538235642	1
32	242269	538242269	yellow/giallo/	1	116	227626	538227626	1
	242270	538242270	gold/oro/	1	C117	227681	538227681	1
			or/gold	1	118	235803	538235803	M5x25 1
33	227458	538227458	M5x21	3	119	241487	538241487	1
C 34	241501	538241501		1	120	241505	538241505	2
35	241470	538241470		1	121	241484	538241484	1
36	235806	538235806	M5x20	2	122	241485	538241485	1
37	227626	538227626		2	123	229510	538229510	3
C 38	FIGURE 2	FIGURE 2		1	C124	241319	538241319	1
A 39	240010	538240010		1	125	240314	538240314	M6x16 1
40	227565	538227565	M5x25	4	126	227504	538227504	1
C 41	227483	538227483		1	127	235225	538235225	1
C 42	240654	538240654		1	C128	241350	538241350	1
43	227491	538227491		1	129	229514	538229514	1
44	227567	538227567	M5x70	2	A130	227762	538227762	2
45	236381	538236381	M5x10	1	131	241317	538241317	1
46	227626	538227626		1	132	248166	538248166	1
47	227566	538227566	M5x65	2	133	229450	538229450	1
48	227629	538227629		2	134	227497	538227497	2
49	227316	538227316		1	135	236728	538236728	1
50	235802	538235802	M5x14	1	C136	227499	538227499	1
51	227458	538227458	M5x21	2	137	248167	538248167	1
B 52	227561	538227561		1	138	229450	538229450	1
C 53	FIGURE 3	FIGURE 3		1	C139	241307	538241307	1
54	227424	538227424		1	C140	227370	538227370	2
A 55	227417	538227417		1	141	241339	538241339	1
56	227629	538227629		2	C142	241344	538241344	1
57	235803	538235803	M5x25	2	143	241345	538241345	1
C 58	240114	538240114		1	144	241346	538241346	1
C 59	227395	538227395		1	C145	241347	538241347	1
C 60	227371	538227371		1	146	227359	538227359	3
61	227616	538227616	M5x16	2	B147	227360	538227360	3
62	235642	538235642		2	148	241348	538241348	1
63	227626	538227626		2	C149	227546	538227546	1
C 64	227368	538227368		1	C150	227329	538227329	1
C 65	227369	538227369		1	B151	227547	538227547	1
C 66	227391	538227391		1	152	229519	538229519	1
C 67	227631	538227631		1	153	241349	538241349	1
68	241300	538241300		1	154	241343	538241343	1
C 69	227335	538227335		1	155	228908	538228908	M4x14 2
A 70	227516	538227516		1	C156	241320	538241320	1
B 71	227366	538227366		1	C157	241332	538241332	1
B 72	227365	538227365		1	C158	227383	538227383	1
C 73	241354	538241354		1	C159	241342	538241342	1
74	227443	538227443		1	160	228908	538228908	M4x14 3
75	227445	538227445		1	C161	241340	538241340	1
76	227801	538227801	M4x75	1	C162	227464	538227464	1
77	227904	538227904		1	C163	227527	538227527	1
78	240683	538240683		1	C164	241341	538241341	1
79	229524	538229524		1	165	240309	538240309	1
C 80	240119	538240119		1	166	240363	538240363	1
81	240862	538240862		3	167	227943	538227943	1
82	241471	538241471		1	168	94273	538094273	1
C 83	241473	538241473		1				

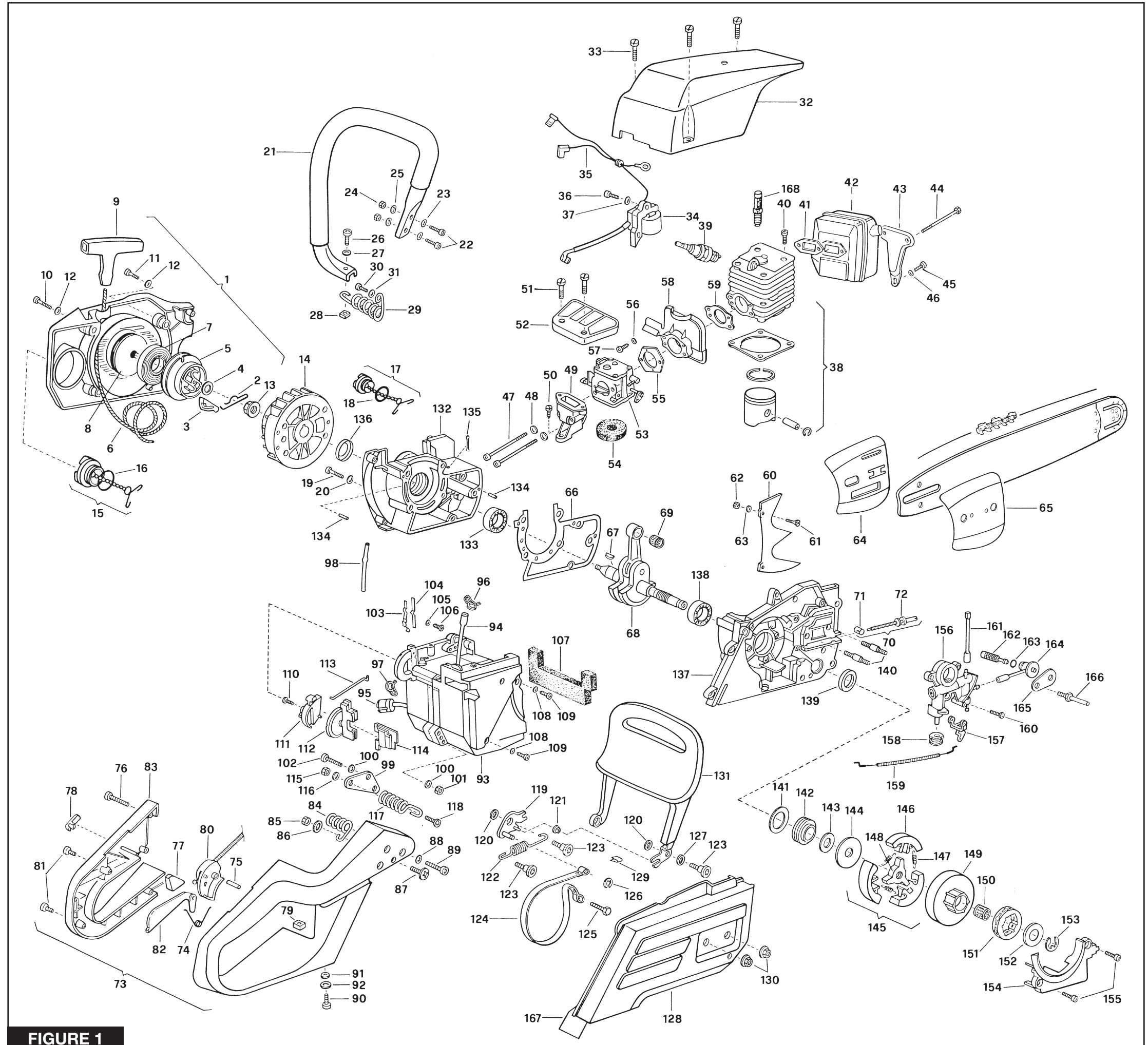


FIGURE 1

A = high moving - alta rotazione - haute demande - große Nachfrage
 B = medium moving - media rotazione - moyenne demande - mittelmäßige Nachfrage
 C = slow moving - bassa rotazione - basse demande - wenige Nachfrage